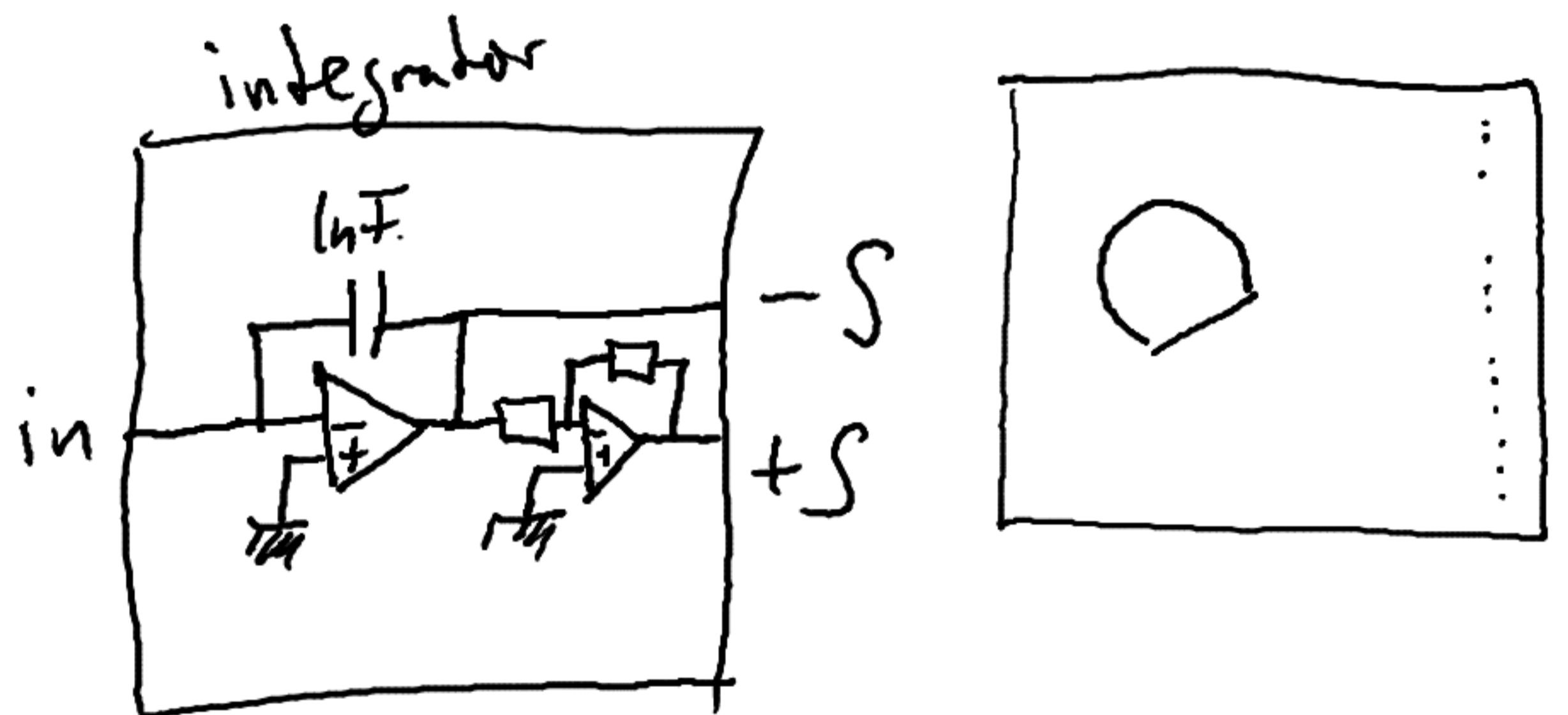
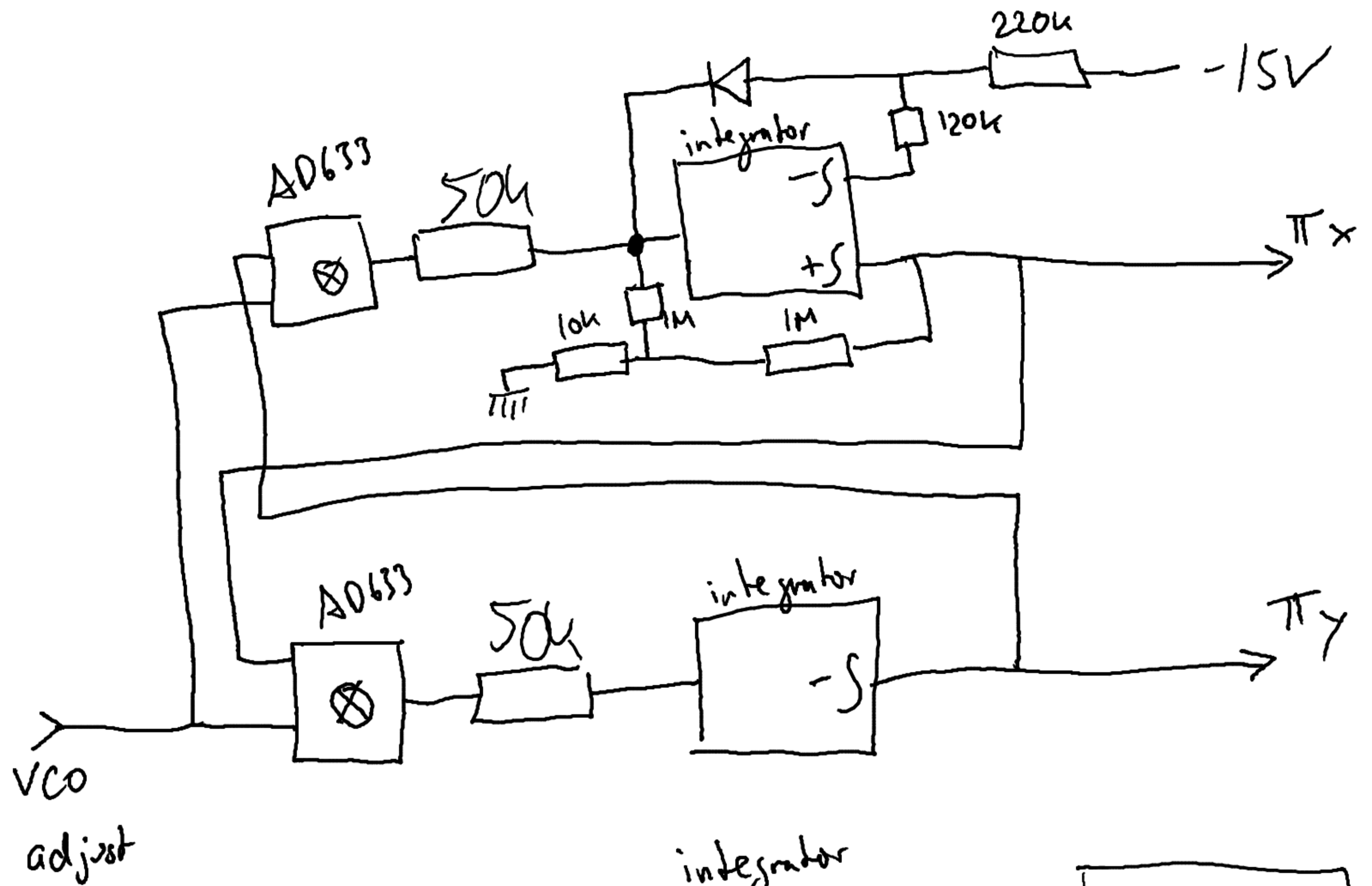
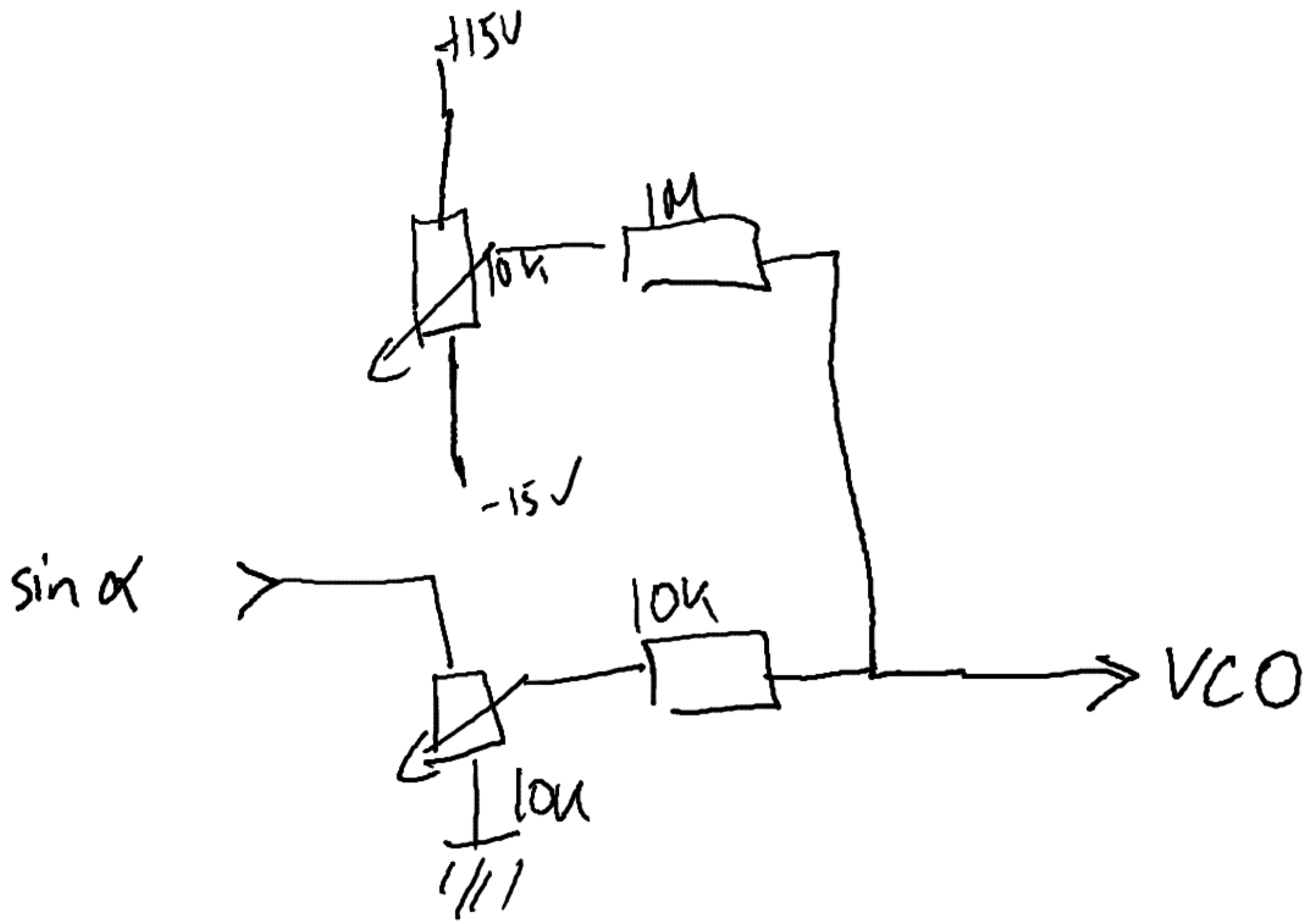


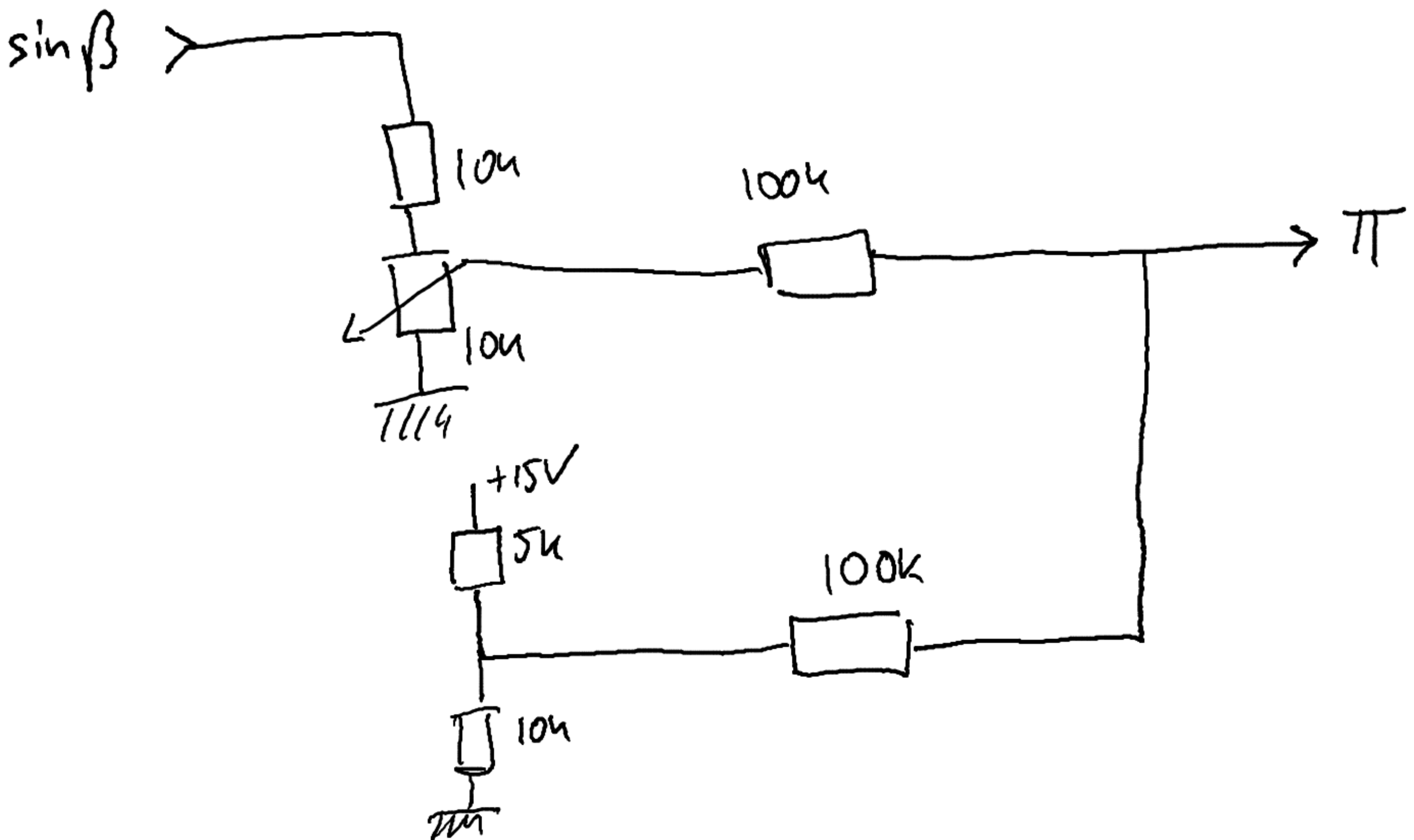
VCO



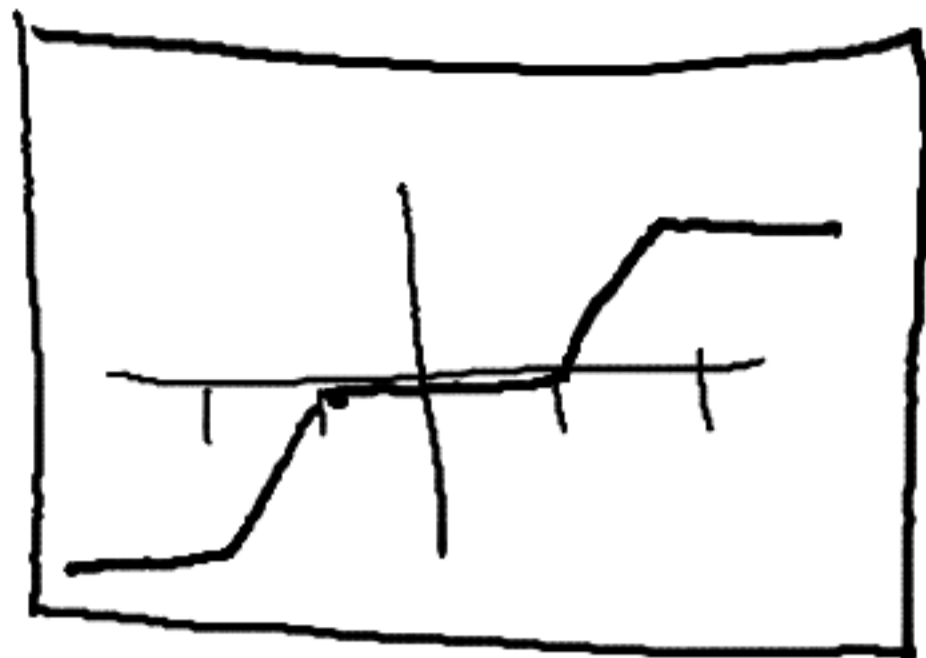
VCO adjust



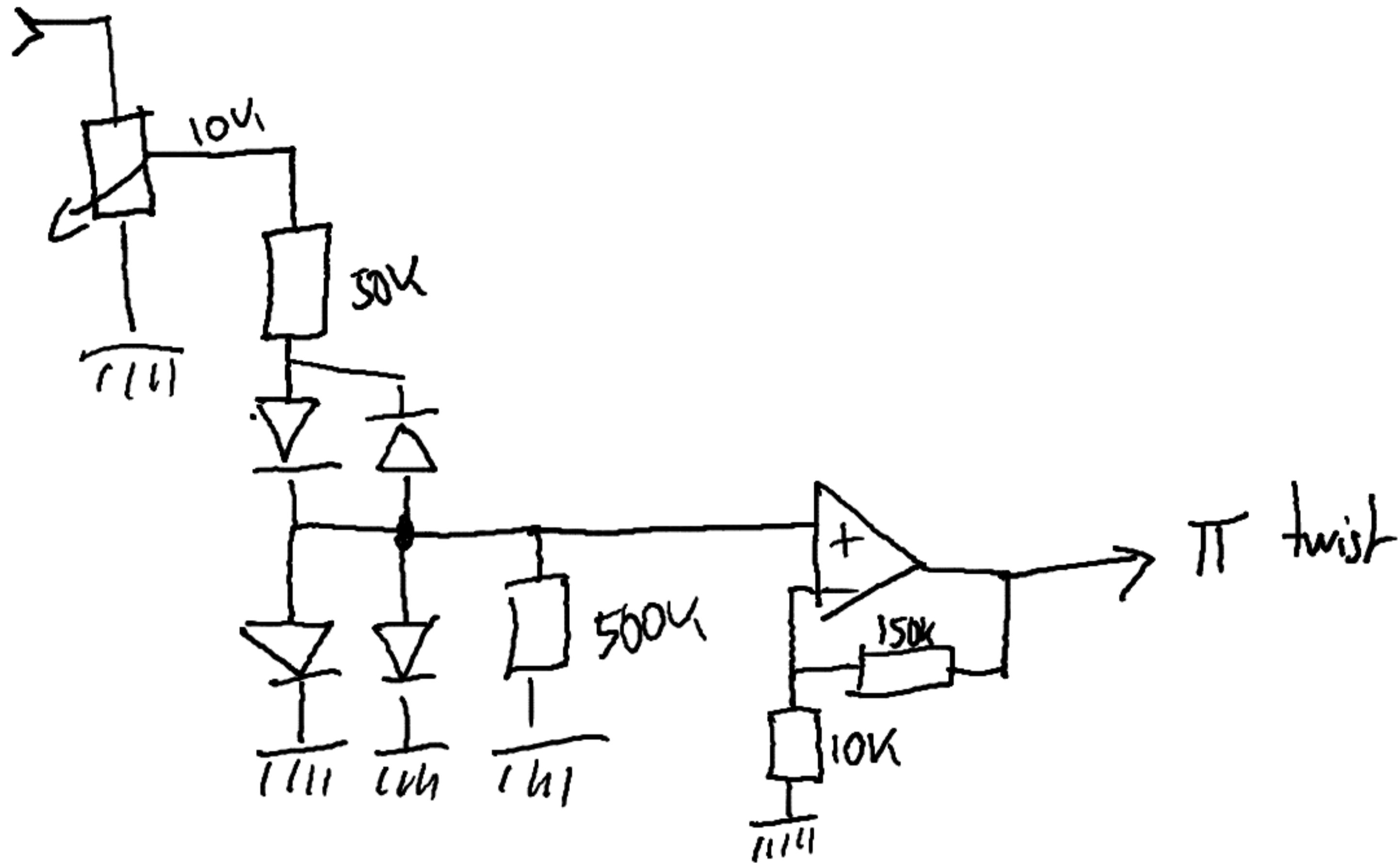
radius adjust



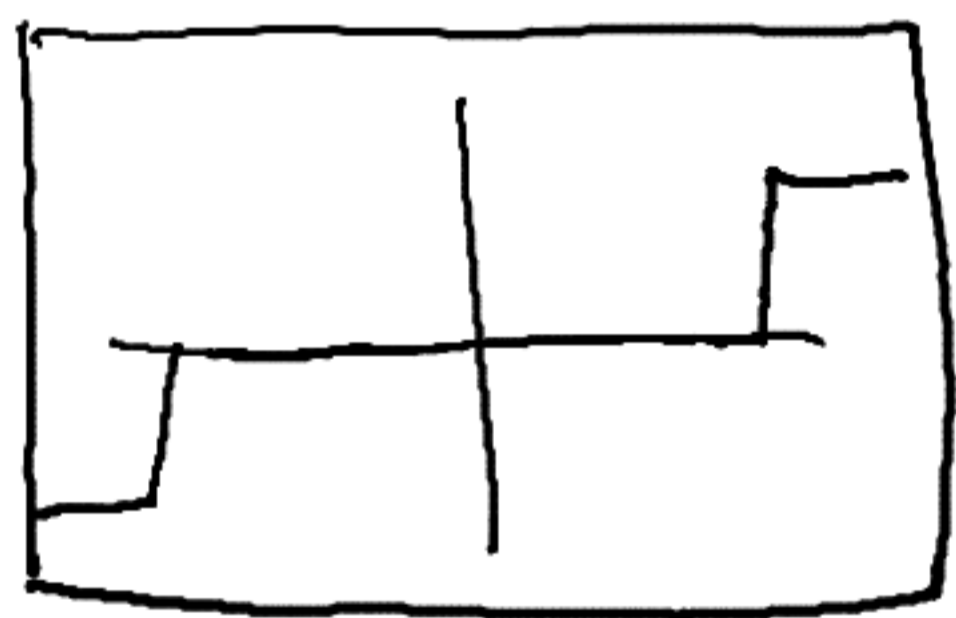
twist adjust



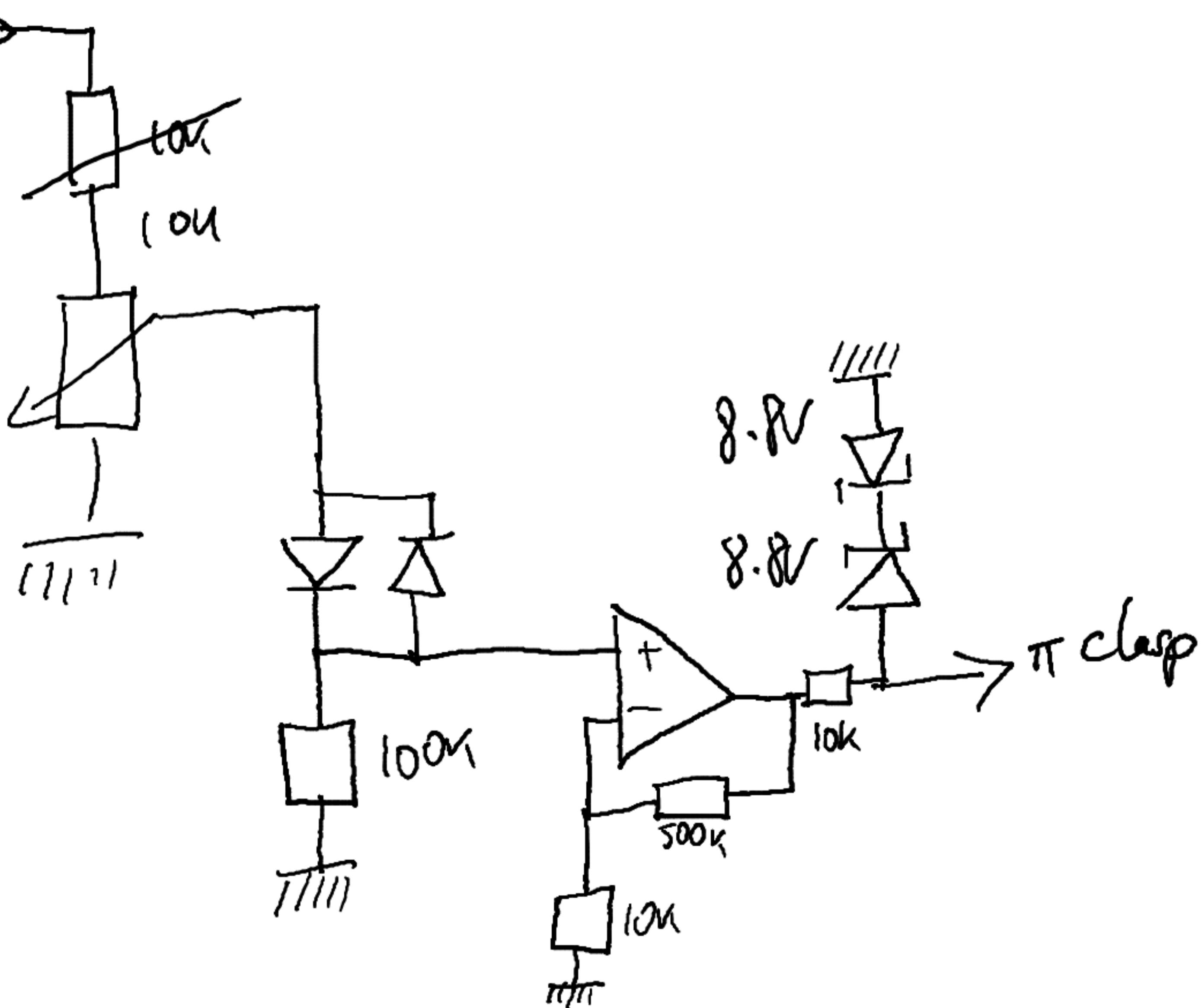
$\sin \alpha$



clasp adjust $\cos \alpha$



$\cos \alpha$



Z-adjust

